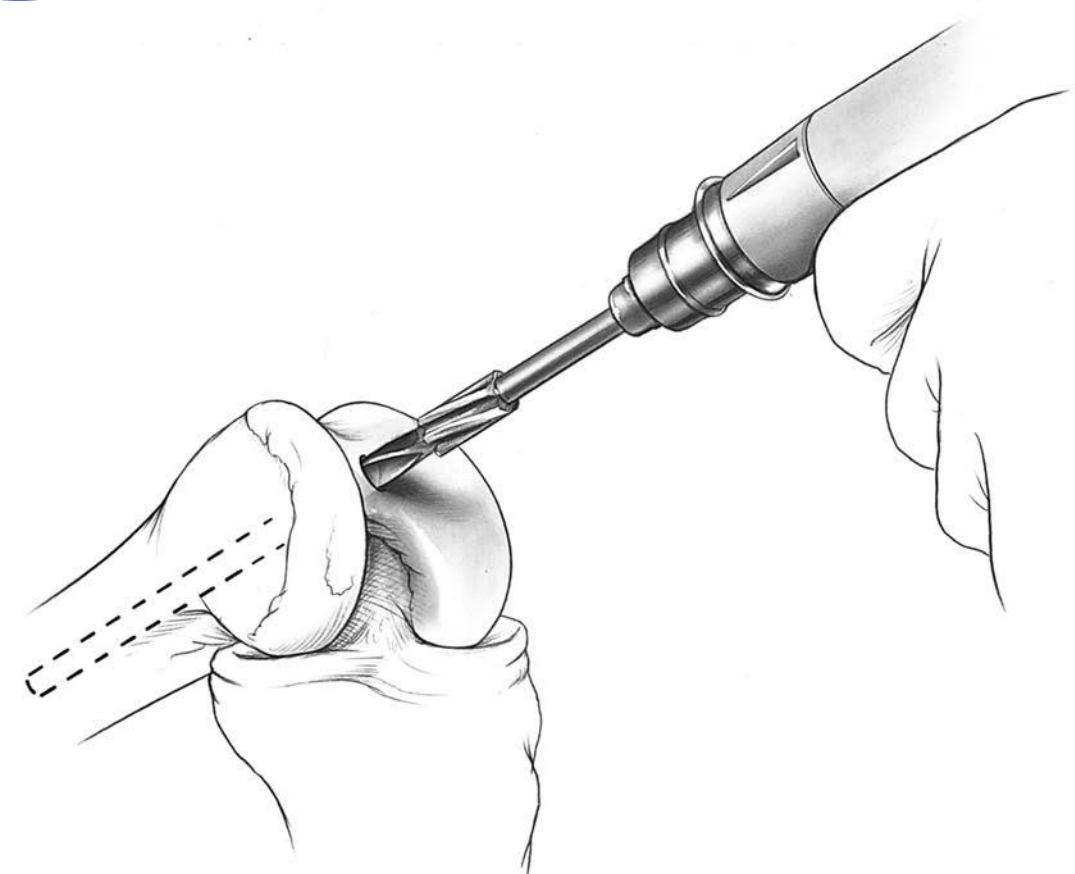


MIS™ Mini-Incision IM Abbreviated Surgical Technique

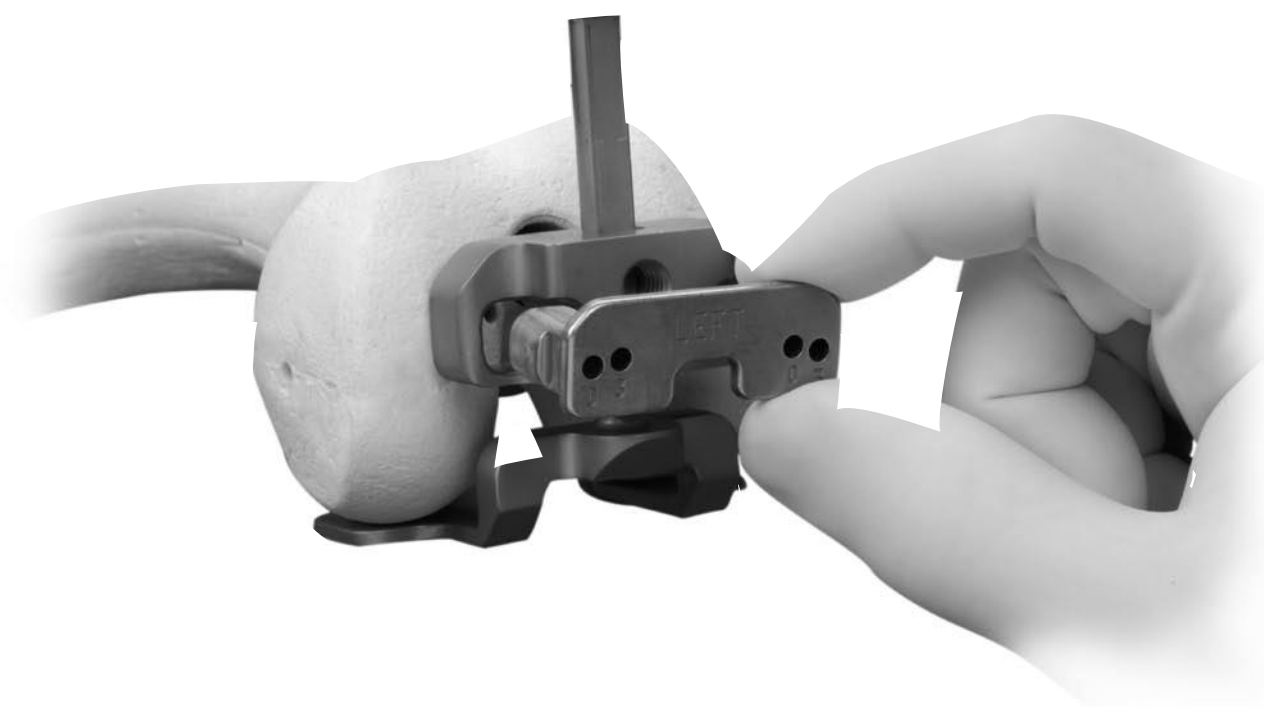
1

Drill 8mm Pilot Hole



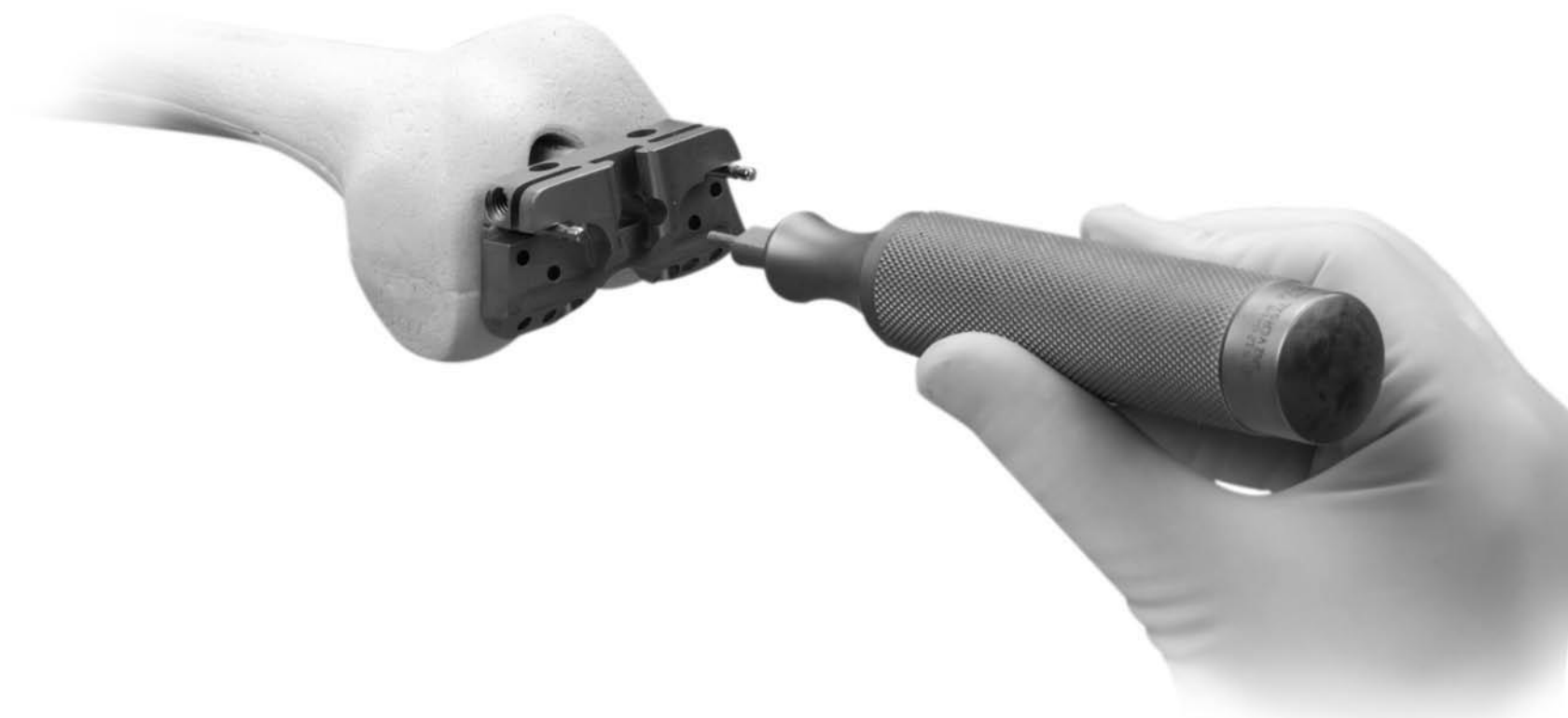
2

Set External Rotation



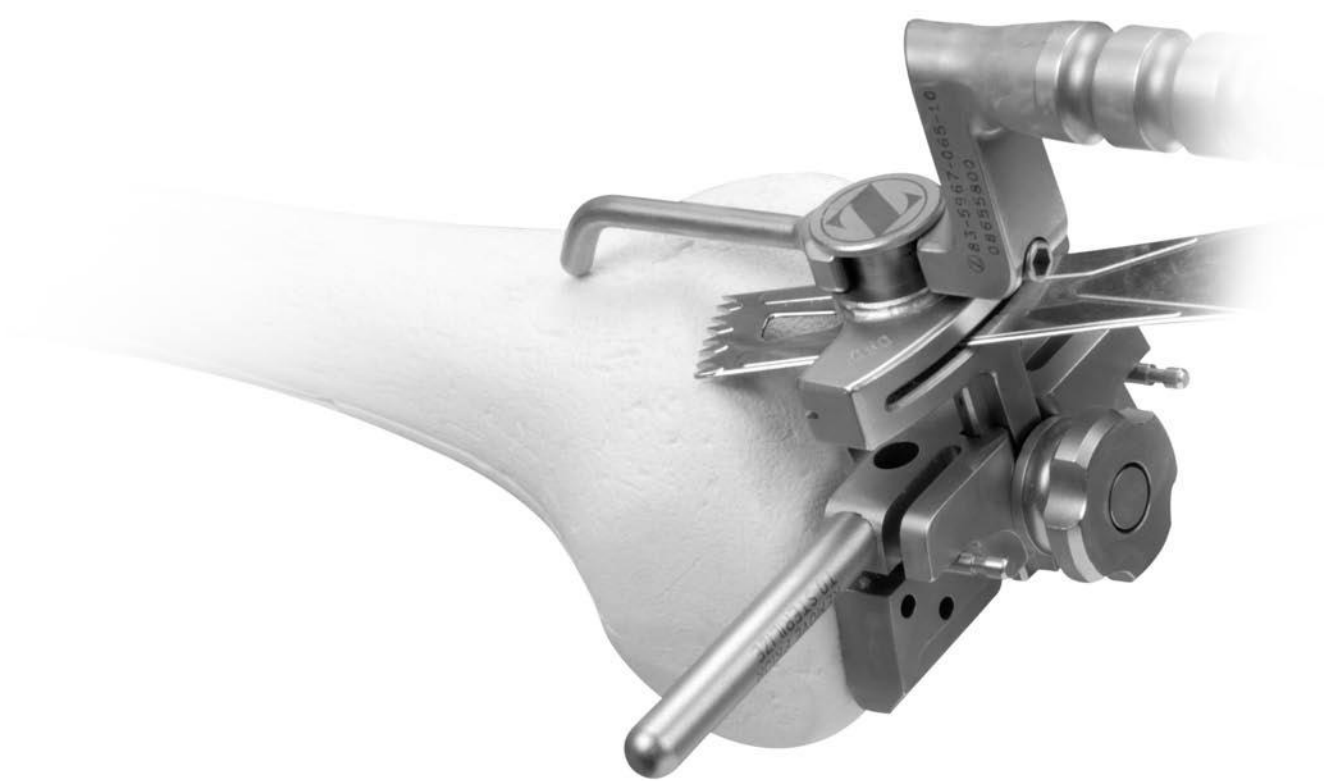
3

Establish Femoral Alignment



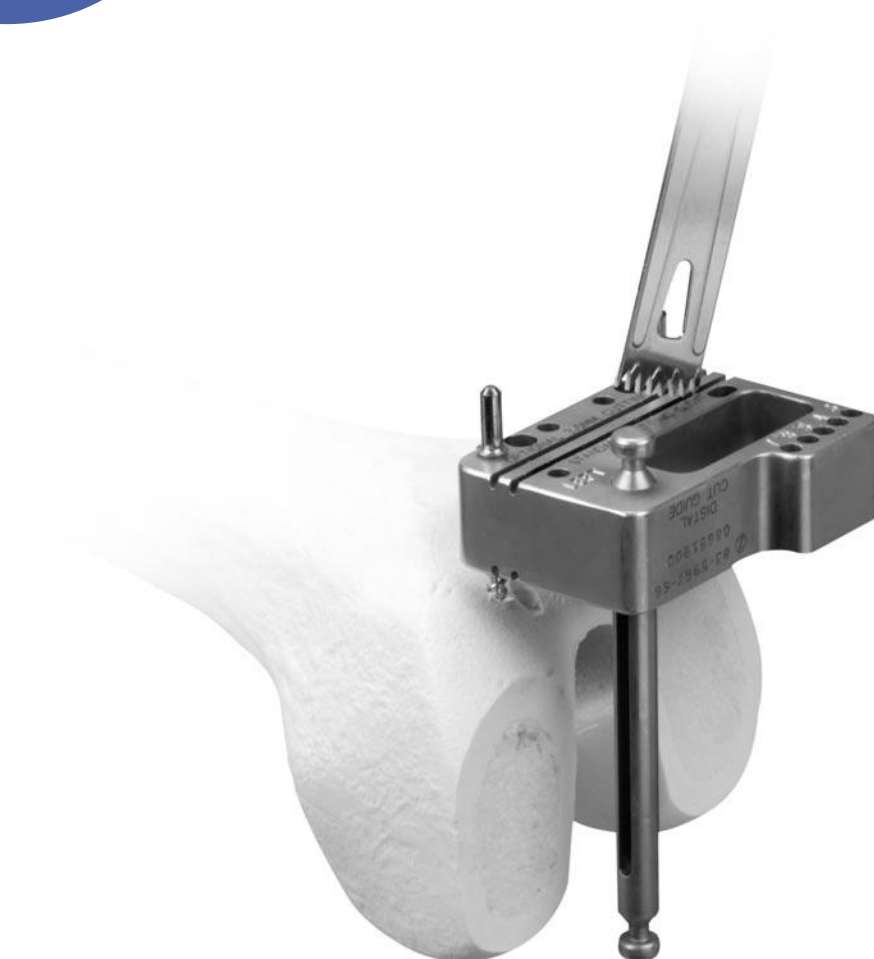
4

Cut Anterior Femoral Cortex



5

Cut Distal Femur



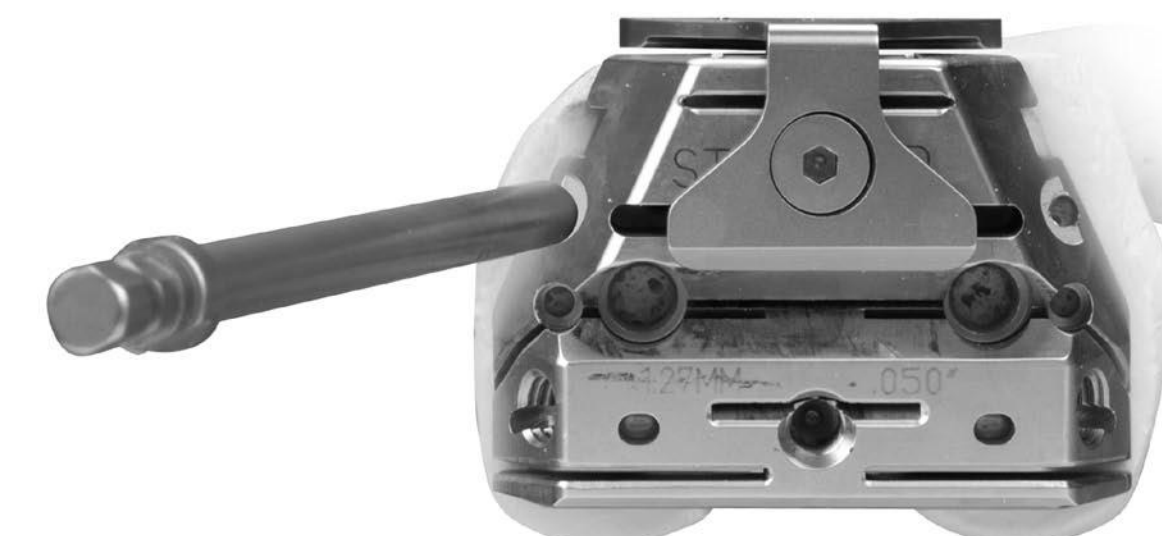
6

Size the Femur



7

Place Femoral Finishing Guide



8

Finish the Femur

- 1 Anterior condyles
- 2 Posterior condyles
- 3 Posterior chamfer
- 4 Anterior chamfer

