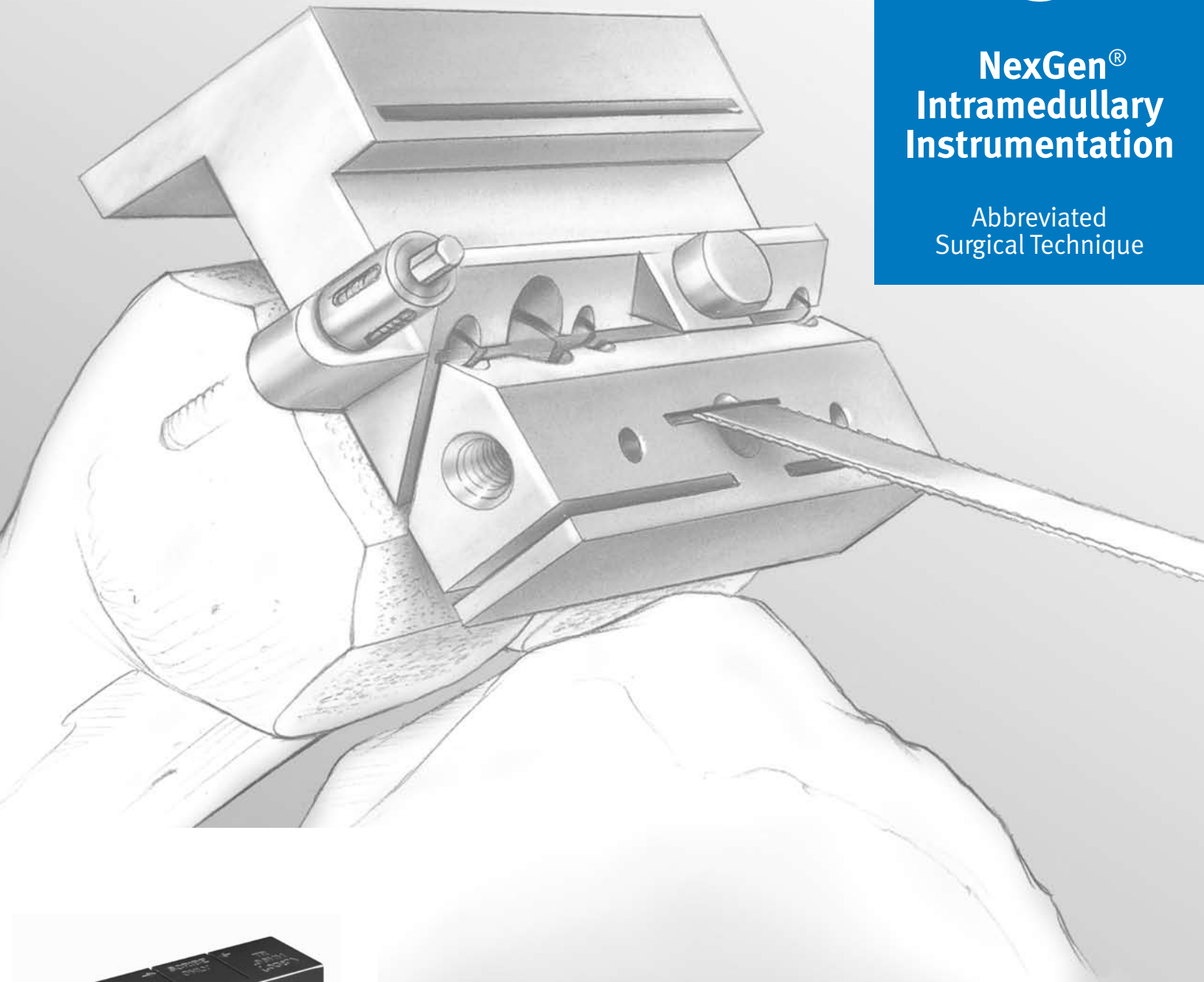




NexGen[®] Intramedullary Instrumentation

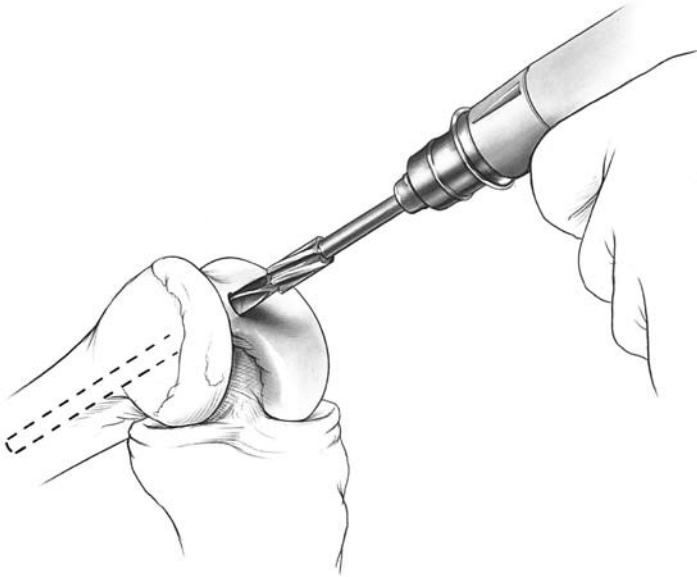
Abbreviated
Surgical Technique



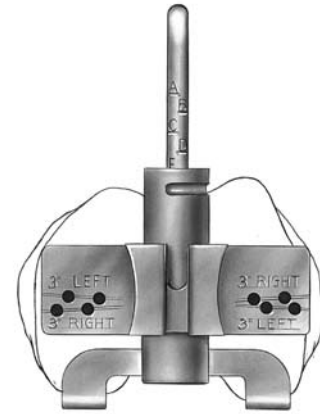
Attribute Statement Needed

Intramedullary Femoral Preparation

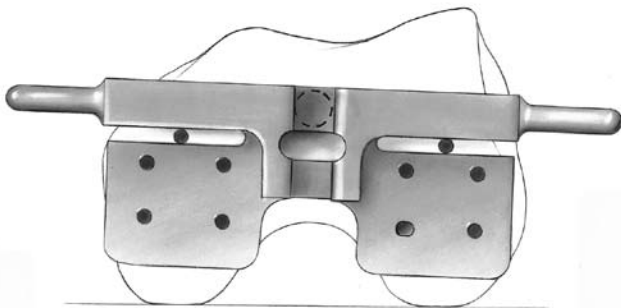
1 Drill 8mm Pilot Hole



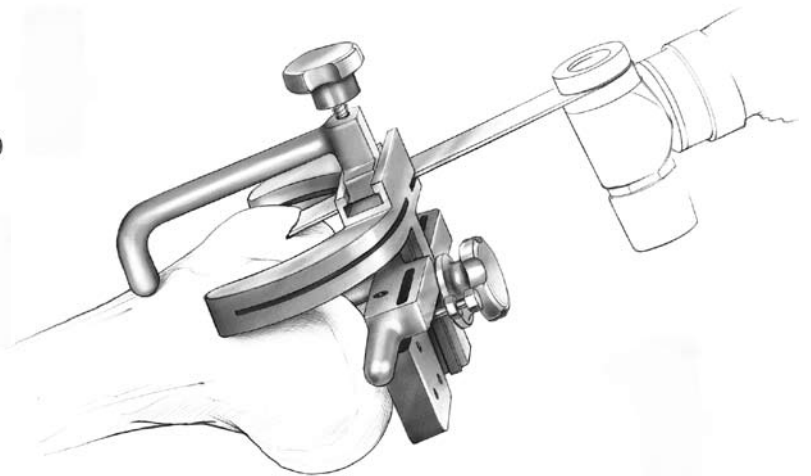
2 Size Femur



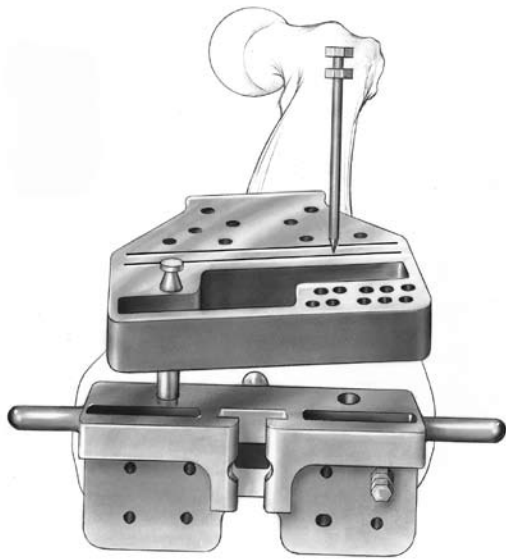
3 Establish Femoral Alignment



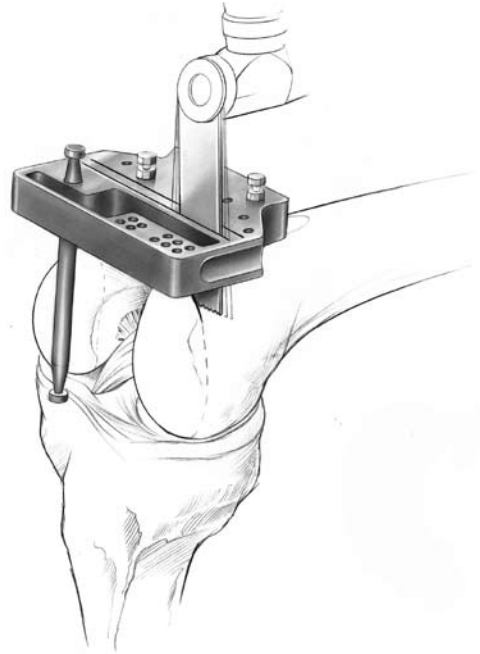
4 Rough Cut the Anterior Femoral Condyles



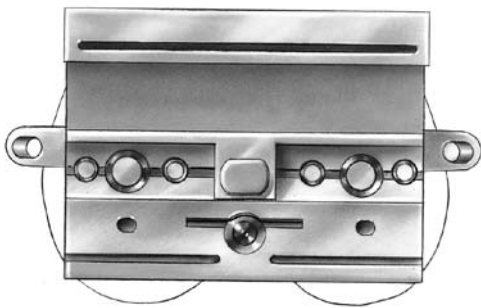
5 Set Valgus Angle



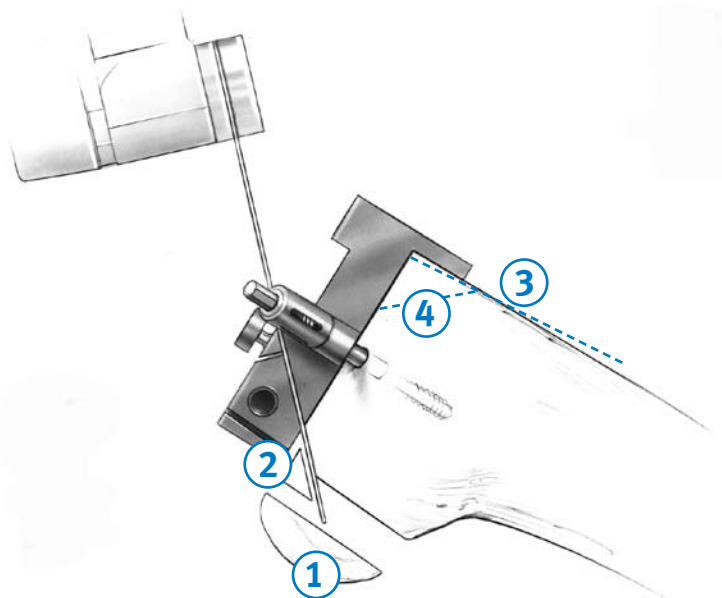
6 Cut the Distal Femur



7 Place & Pin Femoral Finishing Guide

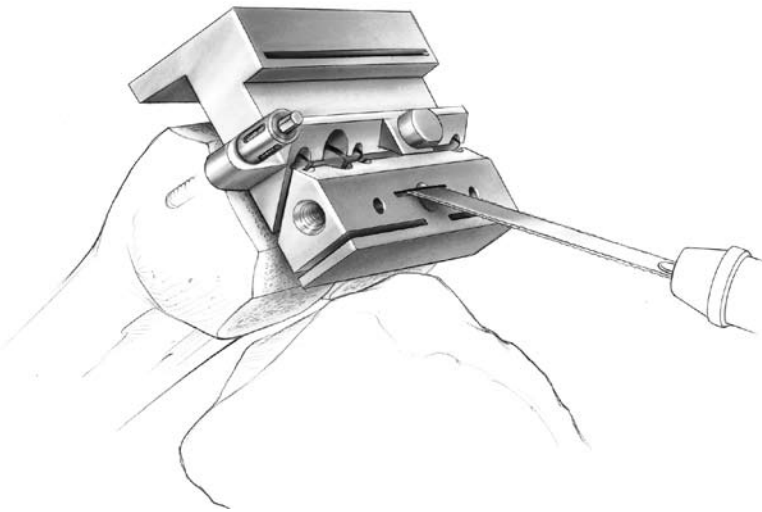


8 Finish the Femur



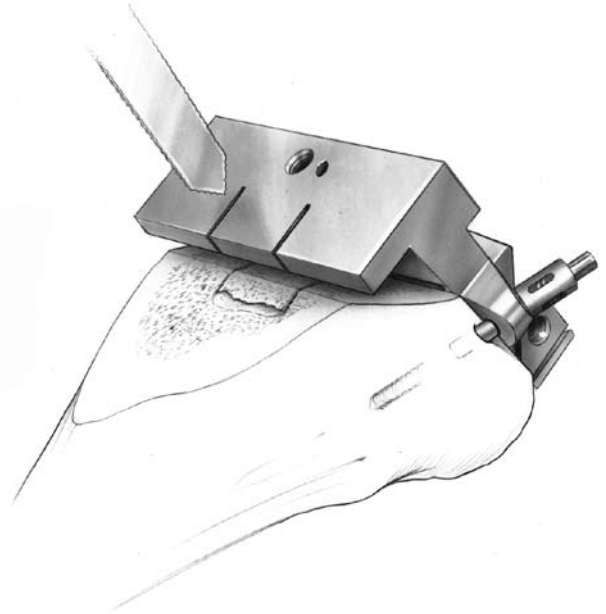
9

**Make Trochlear
Recess Base Cut**



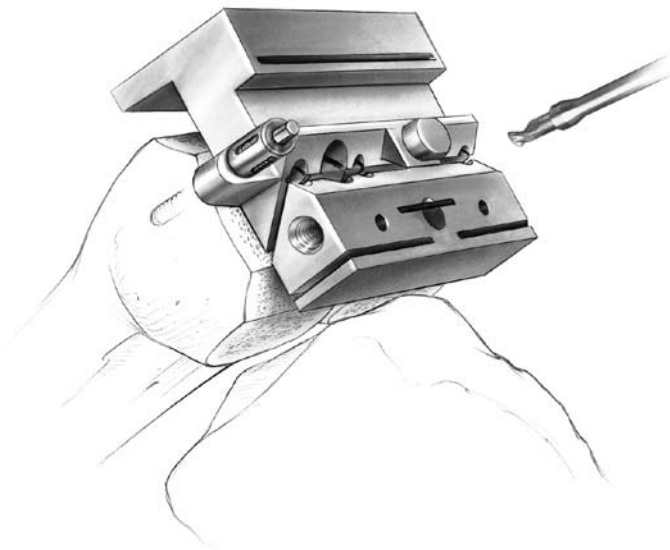
10

**Make Trochlear
Recess Side Cut**



11

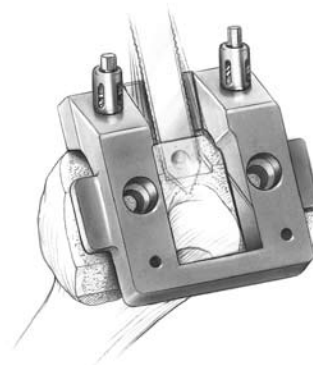
Drill Peg Holes



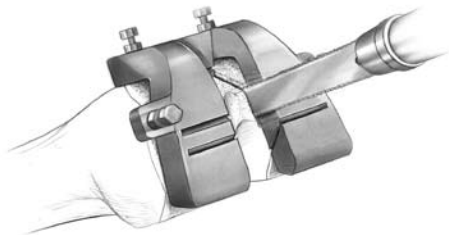
Optional Tibial Prep Techniques



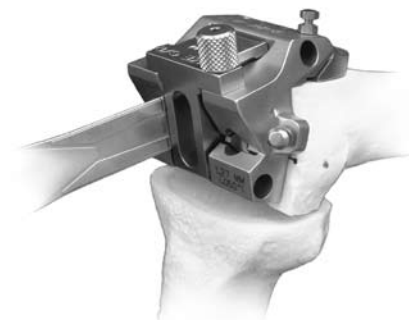
PS Milling Notch Guide



5-in-1 Finish PS Notch Guide



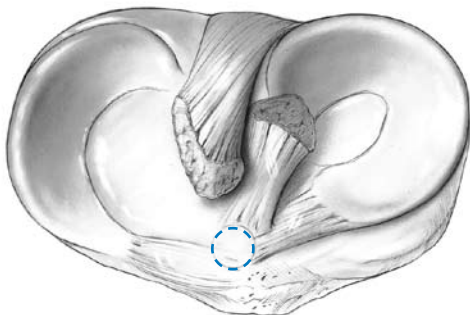
Notch Chamfer Guide



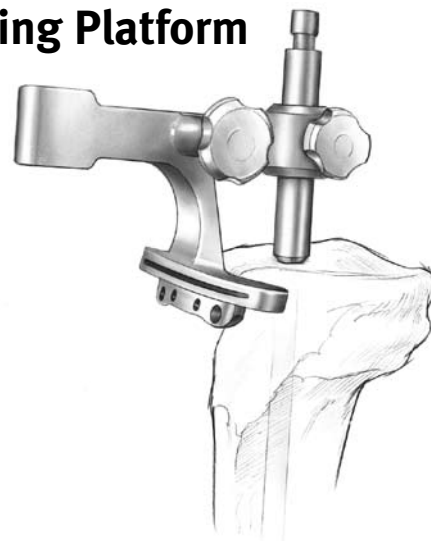
EPI Notch/Chamfer Guide

Intramedullary Tibial Preparation

1 Intramedullary Alignment



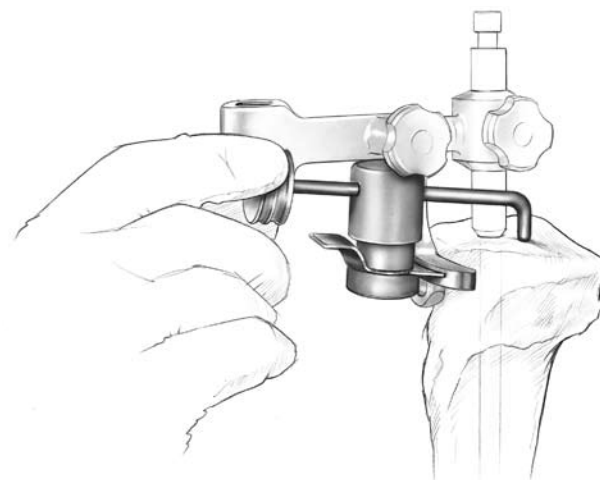
2 Insert IM Rod & Attach Cutting Platform



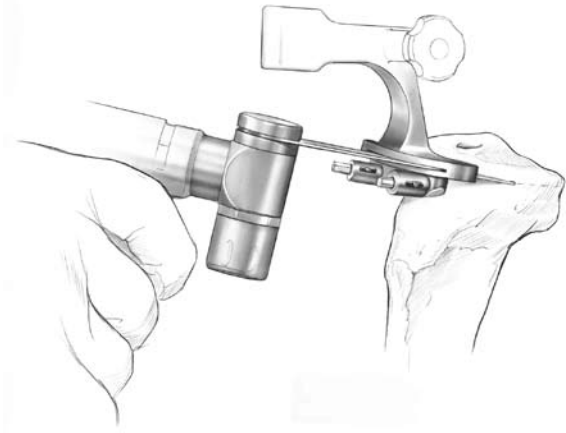
3 Check Alignment



4 Set Depth of Cut



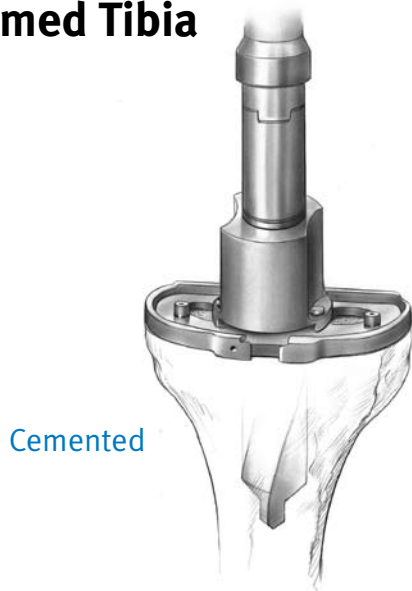
5 Secure with Spring Pins & Make the Proximal Cut



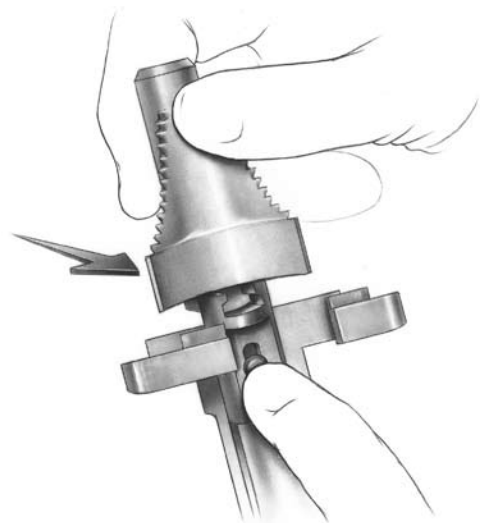
6 Align and Pin Sizing Plate



7 Drill for Stemmed Tibia

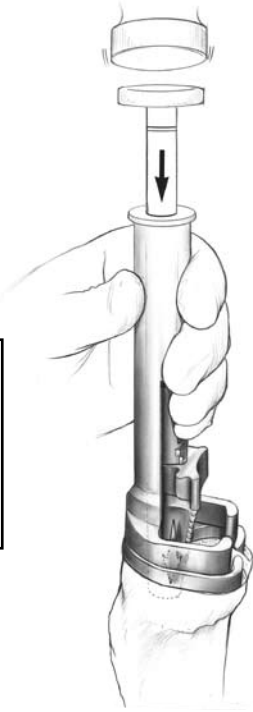
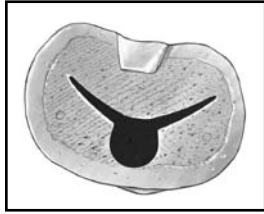


8 Assemble Tibial Broach

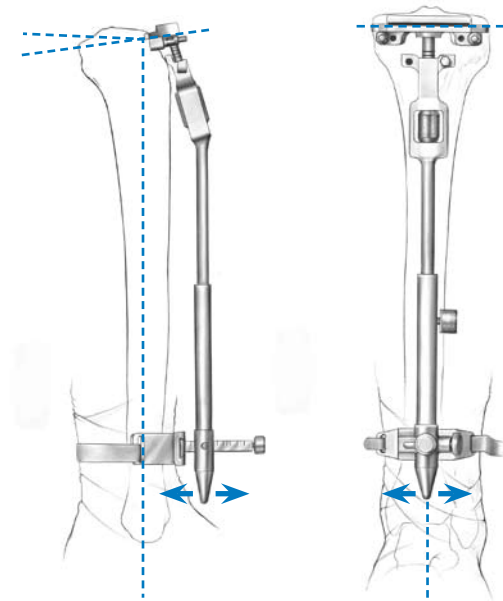


9

Broach Tibia



Optional Tibial Resection Technique

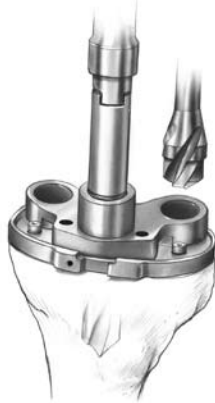


EM Tibial Resection

Optional Tibial Prep Techniques



Pegged



Porous

Please refer to package insert for complete product information, including contraindications, warnings, precautions and adverse effects.

Contact your Zimmer representative or visit us at www.zimmer.com



97-5973-103-00 Rev. 1 1.25ML Printed in the USA ©1998, 2004, 2008 Zimmer, Inc.