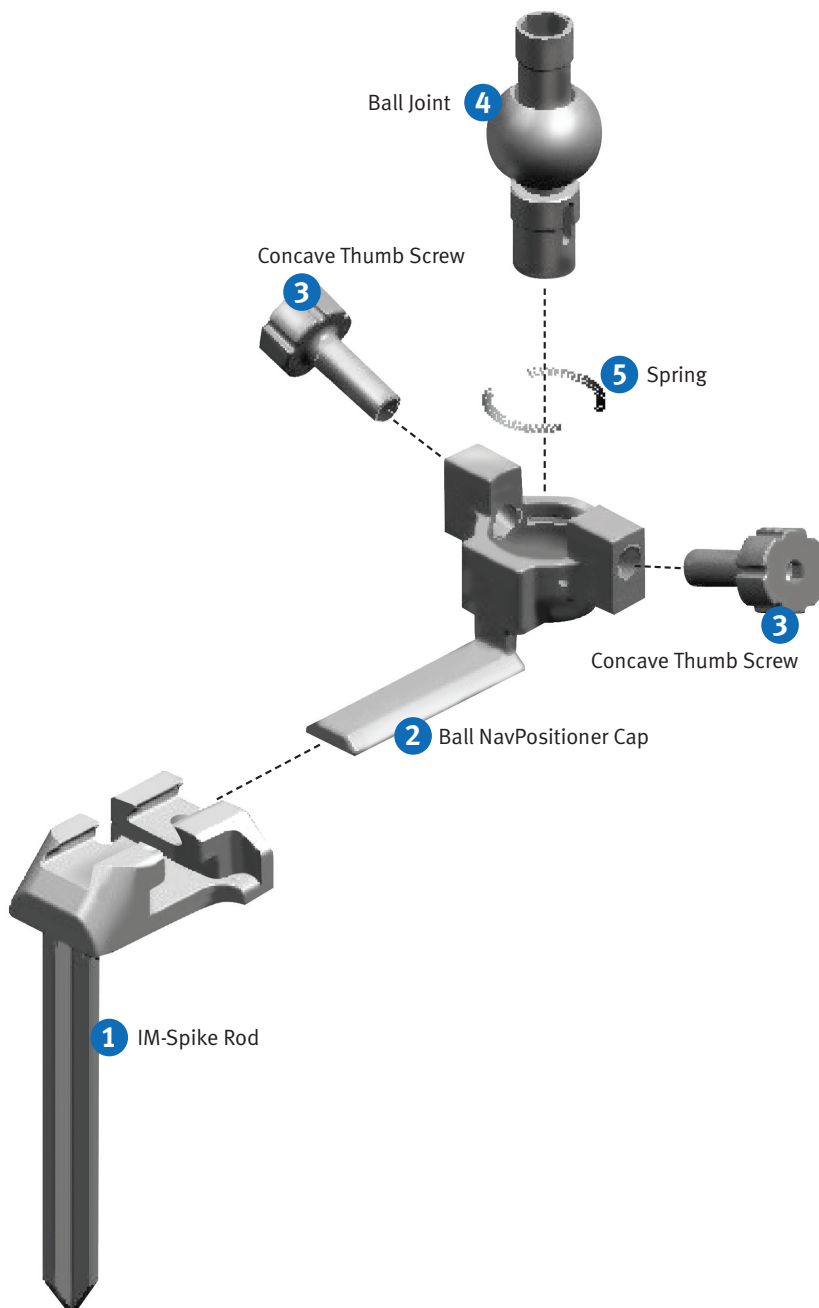




Assembly/ Disassembly Instructions

Ball NavPositioner



Assembly Instructions

Insert the Springs **5** into the Ball NavPositioner Cap **2***. Place the Ball Joint **4** on top of the Springs **5** and push it down into Ball NavPositioner Cap **2**. Screw the Concave Thumb Screws **3** into the correct openings using a 3.5mm Allen Wrench. Slide the Ball NavPositioner Cap **2** into the IM-Spike Rod **1** until fully seated. End of Assembly.

* If Springs were removed.

Disassembly Instructions

Using a 3.5mm Allen Wrench, unscrew the Concave Thumb Screws **3**. Remove the Ball Joint **4** by pushing up on the bottom of the Ball Joint, causing the Ball Joint to snap out. * **Optional:** Springs **5** may be removed out of the Ball NavPositioner Cap **2**. Remove the Ball NavPositioner Cap **2** from the IM-Spike Rod **1** by sliding Ball NavPositioner Cap away from the IM-Spike Rod. End of tear down.

20-5976-000-00