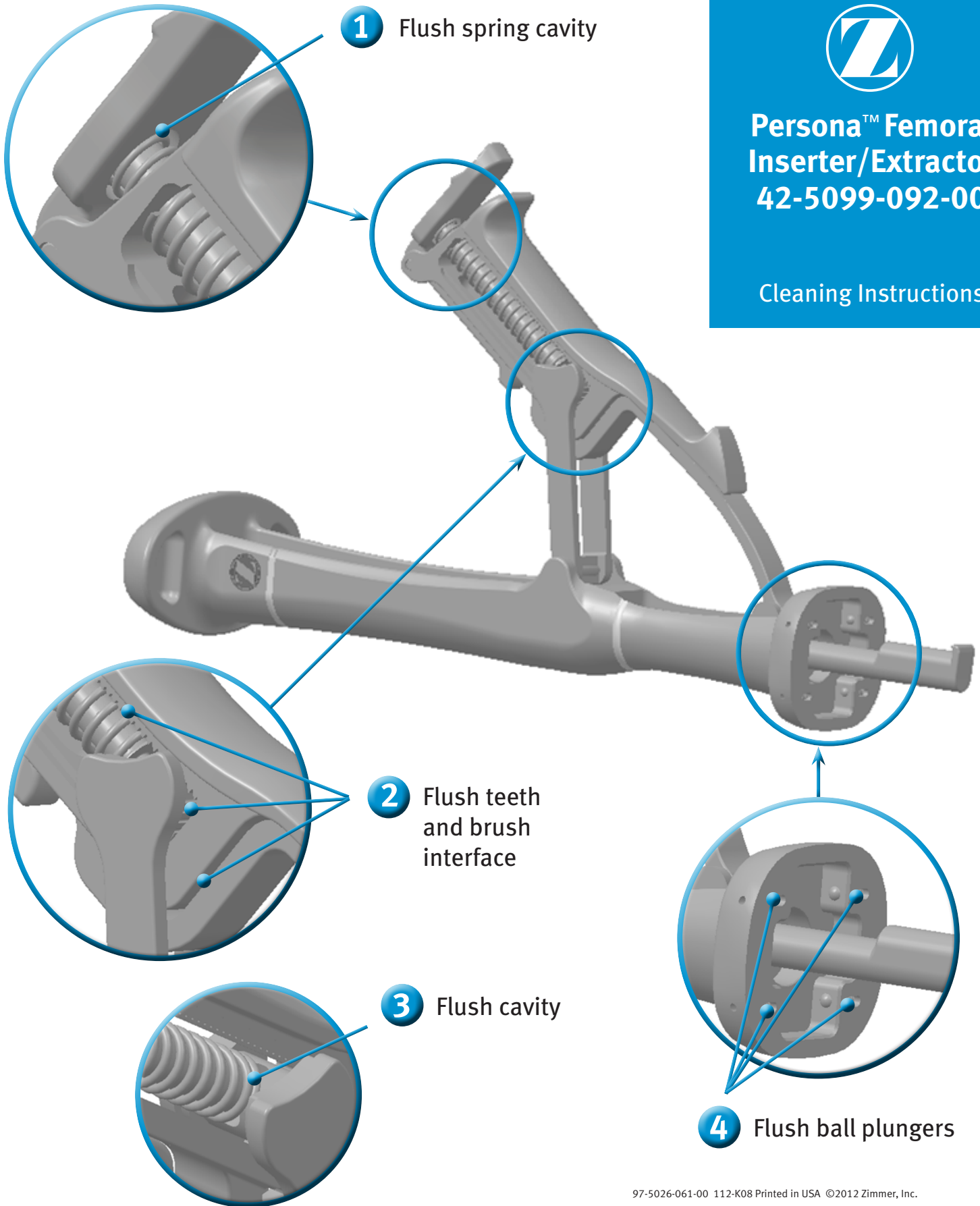




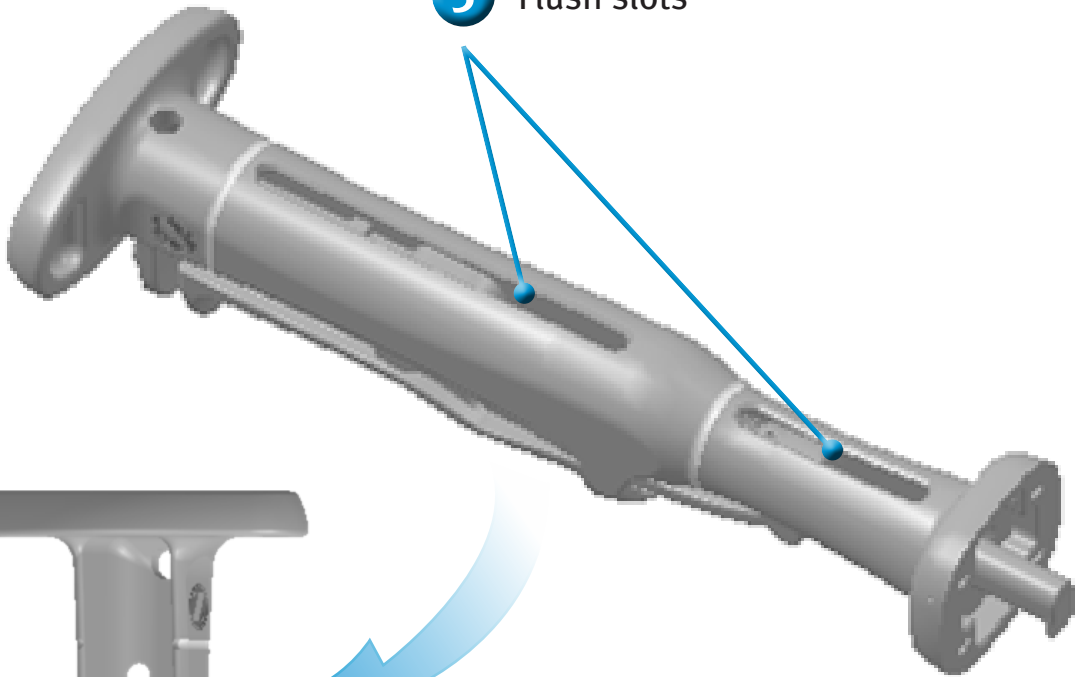
Persona™ Femoral  
Inserter/Extractor  
42-5099-092-00

Cleaning Instructions

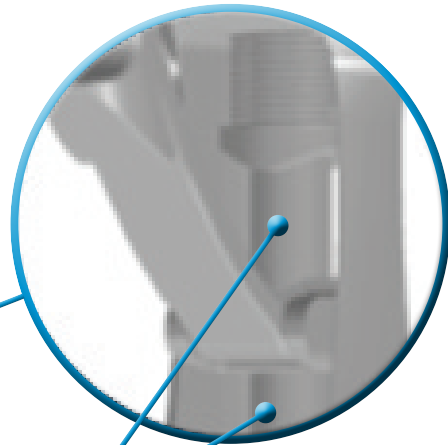
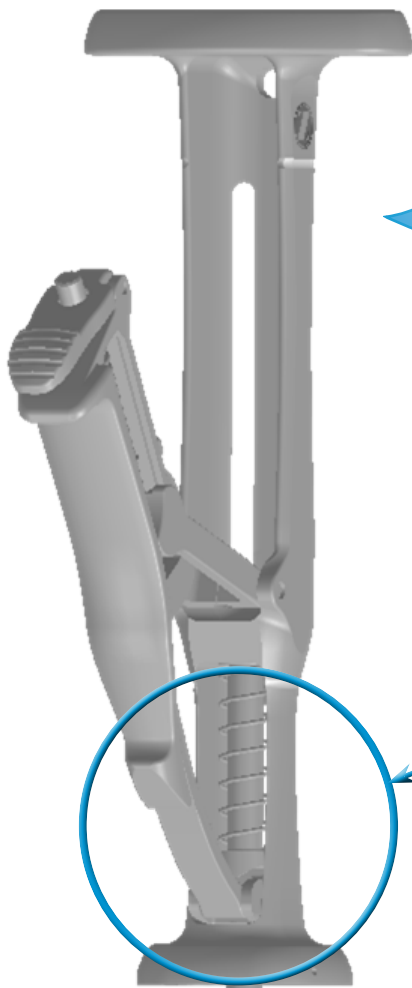


97-5026-061-00 112-K08 Printed in USA ©2012 Zimmer, Inc.

5 Flush slots



Invert with handle open



6 Push on hook and flush surfaces

Hook

